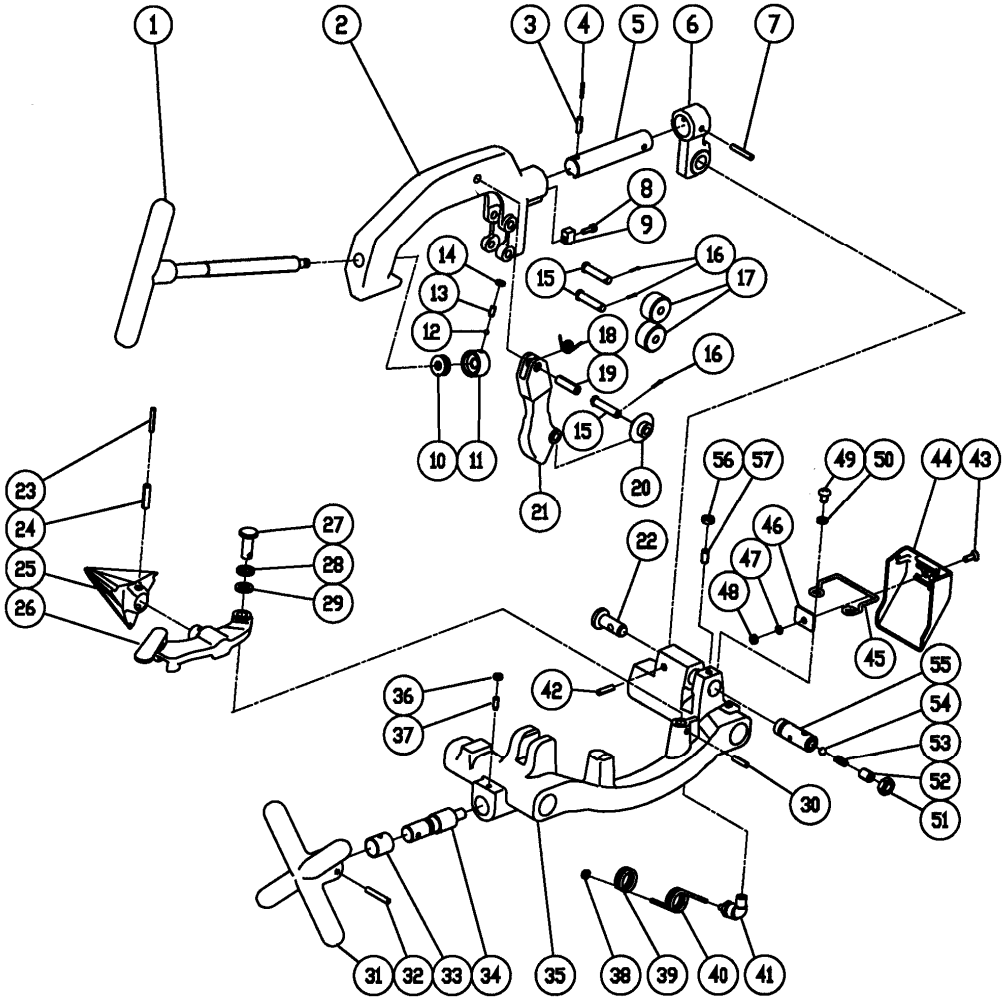


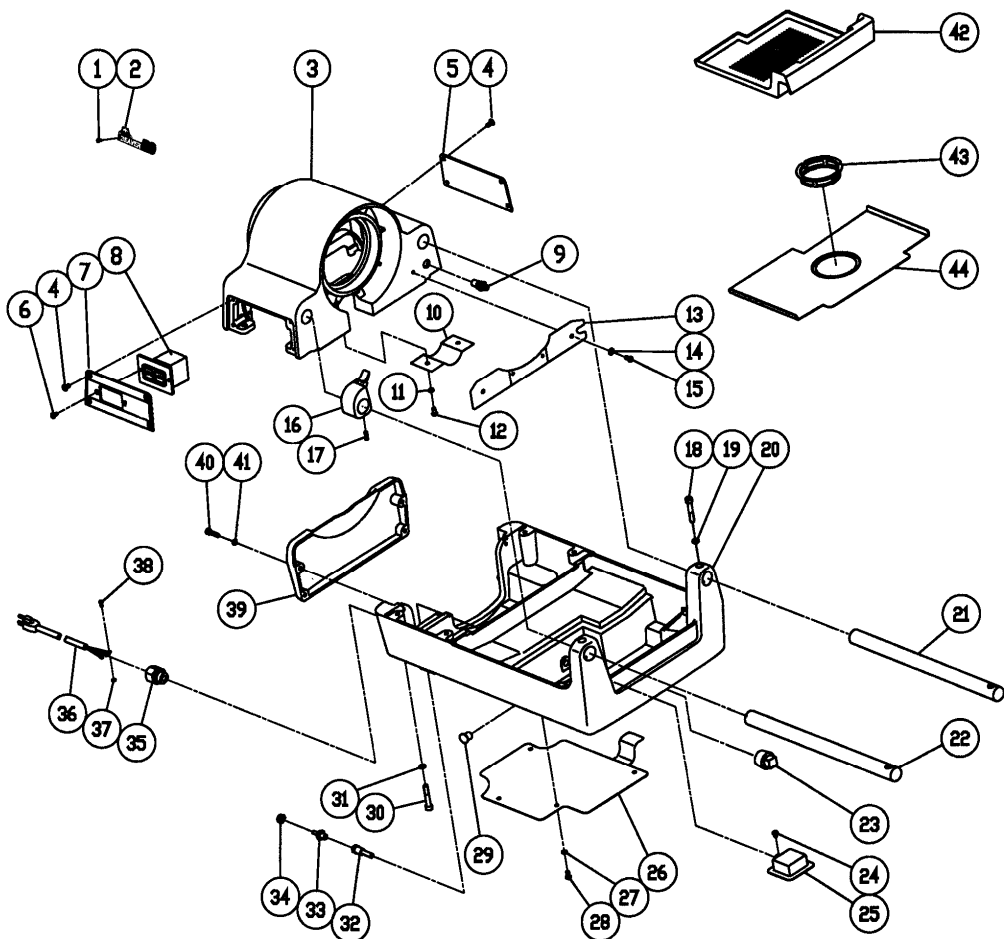
Rohrabschneider, Arbeitsschlitten, Entgrater / pipe cutter, carriage and reamer



**Rohrabschneider, Arbeitsschlitten, Entgrater / pipe cutter, carriage and reamer**

Nr. / No.	Bezeichnung	Description	Menge / Qty.	Art.-Nr. / No.
Set	Rohrabschneider kpl. (Pos. 1-22, 42)	pipe cutter assembly (pos. 1-22, 42)	1	8.1724
1	Handrad mit Spindel	cutter handle complete	1	8.1725
2	Rohrabschneiderkörper	cutter body	1	8.1609
3	Spannstift 6x20	spring pin 6x20L	1	8.4191
4	Spannstift 3,5x20	spring pin 3.5x20L	1	8.1607
5	Bolzen, Rohrabschneider	cutter guide bar	1	8.1610
6	Halter, Rohrabschneider	cutter bracket	1	8.1611
7	Spannstift 6x36	spring pin 6x36L	1	8.5778
8	Inbusschraube M5x15	hex socket bolt M5x15L	1	8.5862
9	Führungsklotz	cutter key	1	8.5861
10	Drucklager 51100	thrust bearing 51100	1	8.8067
11	Druckhülse	feed screw head	1	8.3396
12	Stahlkugel 3/16"	steel ball 3/16"	1	8.3485
13	Stiftschraube M6x12	hex socket set bolt M6x12L	1	8.3510
14	Sechskantmutter M6	hex nut M6	1	8.4169
15	Gleitbolzen, Schneidrad / Druckrollen	cutter blade set pin	3	8.3308
16	Splint 2x15	splint pin 2x15L	3	8.3754
17	Druckrollen	cutter roller	2	8.3156
18	Schenkelfeder	bracket spring	1	8.3752
19	Spannstift 10x36	spring pin 10x36L	1	8.5757
20	Schneidrad Spezial-Stahl	cutter blade NO3	1	7.0074
21	Schneidradhalter	cutter blade holder	1	8.5794
22	Bolzen, Rohrabschneider	cutter pin	1	8.1618
Set	Entgrater kpl. (Pos. 23-30)	reamer assembly (pos. 23-30)	1	8.1727
23	Spannstift 5x32	spring pin 5x32L	1	8.1619
24	Spannstift 8x32	spring pin 8x32L	1	8.5791
25	Entgraterkopf	reamer blade	1	5.6198
26	Entgraterarm	reamer holder	1	8.1728
27	Befestigungsbolzen, Entgrater	holder pin	1	8.5788
28	Federring 12	spring washer M12	1	8.5789
29	U-Scheibe 12	plain washer S M12	1	8.5790
30	Spannstift 6x24	spring pin 6x24L	1	8.6876
Set	Handrad kpl. (Pos. 31-34)	rack handle complete (pos. 31-34)	1	8.1630
31	Handrad	rack handle	1	8.1631
32	Spannstift 6x40	spring pin 6x40L	1	8.5916
33	Hülse	pinion metal	1	8.5875
34	Zahnwelle	rack pinion	1	8.4121
35	Arbeitsschlitten	carriage	1	8.1635
36	Sechskantmutter M6	hex nut M6	1	8.4169
37	Stiftschraube M6x22	hex socket set bolt M6x22L	1	8.6871
38	Federstopper	binding band	1	8.3846
39	Schutzfeder	protect spring	1	8.1639
40	Ölschlauch NL06-10	urethane coiling tube NL06-10	1	8.1640
41	Winkelstück L4N6x4-PT1/4	elbow L4N6x4-PT1/4	1	8.1641
42	Spannstift 8x32	spring pin 8x32L	1	8.5791
43	Schraube M6x15	flat head screw M6x15L (Parker)	1	8.1642
44	Spritzschutz	splash protection plate	1	8.1644
45	Spritzschutzhalter	splash protection plate holder	1	8.1645
46	U-Platte	holder plate	1	8.6899
47	Federring 6	spring washer CM6	1	8.1621
48	Sechskantmutter 6	hex nut M6	1	8.4169
49	Schraube M8x12	pan head screw M8x12L	2	8.1624
50	Federring 8	spring washer CM8	2	8.1625
51	Sechskantmutter M12	hex nut M12	1	8.1032
52	Öl- Einstellschraube	oil adjust screw	1	8.6783
53	Feder, Öleinstellung	oil adjust spring	1	8.3327
54	Stahlkugel 5/16"	steel ball 5/16"	1	8.5805
55	Haltebolzen, Schneidkopf	die head, set pin	1	8.5886
56	Sechskantmutter M8	hex nut M8	1	FF54352
57	Stiftschraube M8x15	hex socket set bolt M8x15L	1	8.6875

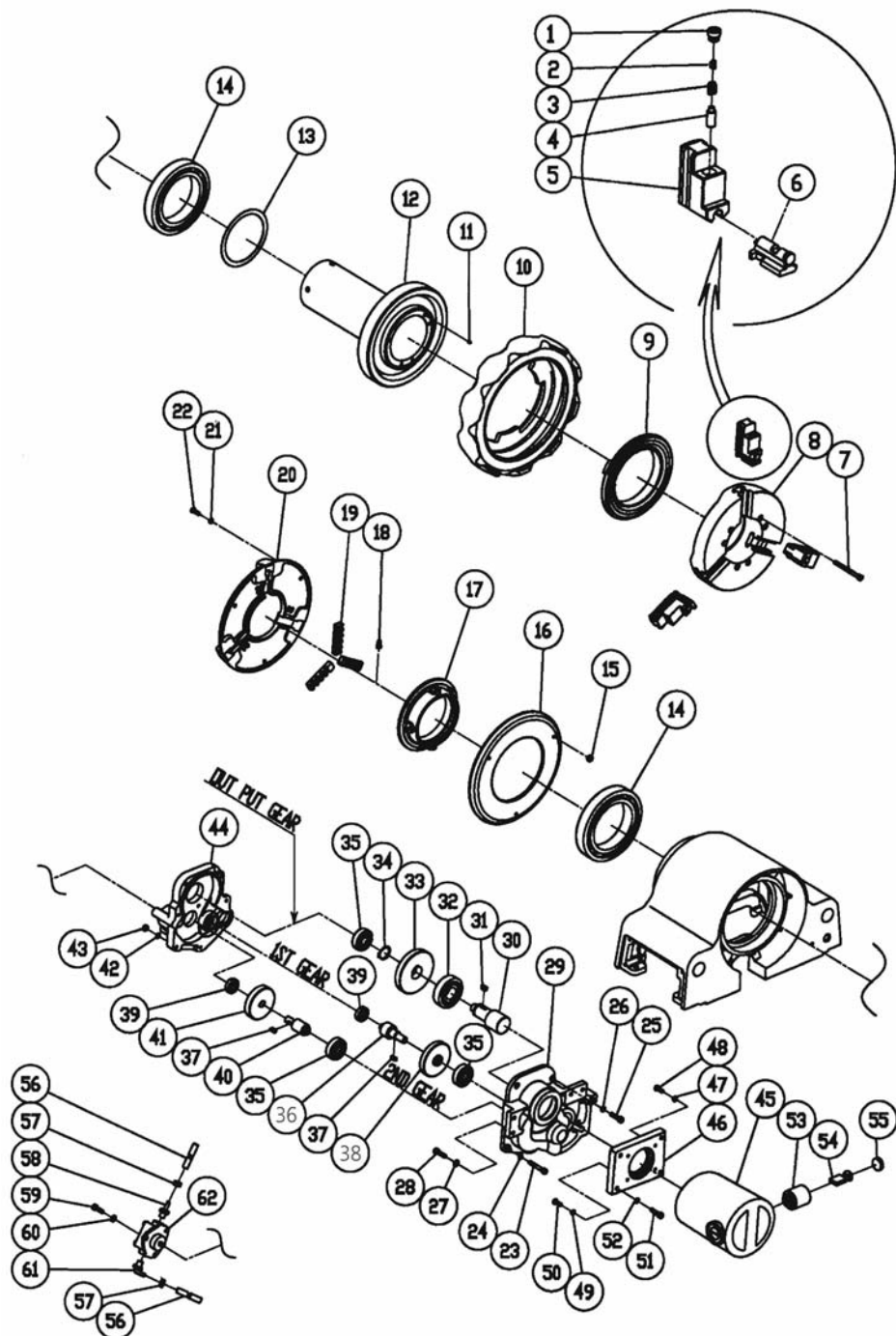
Gehäuse / frame, spindle case



## Gehäuse / frame, spindle case

<b>Nr. / No.</b>	<b>Bezeichnung</b>	<b>Description</b>	<b>Menge / Qty.</b>	<b>Art.-Nr. / No.</b>
1	Schraube M2,5x8	flat head tapping screw M2,5x8L	2	8.1628
2	Namensschild	name plate	1	8.1629
3	Spindelgehäuse	spindle case	1	8.1632
4	Schraube M6x10	flat head screw M6x10L	8	8.1633
5	Typenschild	machine plate	1	8.1636
6	Schraube M3x6	flat head screw M3x6L	2	8.1634
7	Schalterplatte	switch plate	1	8.1637
8	Schalter BEH2302	switch BEH2302	1	8.1638
9	Schraubnippel C4N6x4-PT1/4	connector C4N6x4-PT1/4	1	8.1643
10	Abdeckblech	gear cover	1	8.1647
11	Federring 6	spring washer CM6	2	8.1621
12	Schraube M6x12	pan head screw M6x12L	2	8.1648
13	Schutzblech	oil cover	1	8.1651
14	Federring 6	spring washer CM6	4	8.1621
15	Schraube M6x12	pan head screw M6x12L	4	8.1648
16	Anschlag	outer ring spacer	1	8.1652
17	Schraube M6x6	hex socket set bolt M6x6L	1	8.5932
18	Schraube M8x45	hex socket bolt M8x45L	2	8.5979
19	Federring 8	spring washer CM8	2	8.1625
20	Gehäuseunterteil	frame	1	8.1654
21	Gleitstange, hinten	guide bar R	1	8.1655
22	Gleitstange, vorne	guide bar F	1	8.1659
23	Ölablassschraube 1/2"	plug 1/2"	1	8.3228
24	Schraube M6x12	pan head screw M6x12L	1	8.1648
25	Ölfilter	filter	1	8.4188
26	Bodenplatte	frame under cover	1	8.1662
27	Federring 6	spring washer CM6	4	8.1621
28	Schraube M6x10	hexagon head bolt M6x10L	4	8.1663
29	Blindstopfen DP-562	hole cap DP-562	2	8.1664
30	Schraube M8x50	hex socket bolt M8x50L	4	8.1665
31	Federring 8	spring washer CM8	4	8.1625
32	Ansaugnippel	suction pipe	1	8.1666
33	Schraubnippel GES8xPT1/4	connector GES8xPT1/4	1	8.1658
34	Schlauchklemme 12	hose clamp 12	1	8.1657
35	Kabelverschraubung	cord connector OA-W1611	1	8.6902
36	Netzkabel 100V-120V	power cord 100V-120V	1	8.1667
37	Zahnscheibe 6	tooth lock washer M6	1	8.1668
38	Schraube M6x8	pan head screw M6x8L	1	8.1669
39	Motorabdeckung	pump cover	1	8.1670
40	Schraube M6x20	hex socket bolt M6x20L	4	8.3782
41	Federring 6	spring washer CM6	4	8.1621
42	Spänewanne	chip pan	1	8.1671
43	Ölsieb	strainer	1	8.3364
44	Ölwannendeckel	oil tank lid	1	8.1672

Spannfutter, Arbeitsspindel / hammer chuck, scroll and gears



**Spannfutter, Arbeitsspindel / hammer chuck, scroll and gears**

Nr. / No.	Bezeichnung	Description	Menge / Qty.	Art.-Nr. / No.
Set	Schnellspannfutter kpl. (Pos. 1-10)	hammer chuck complete (pos. 1-10)	1	8.1600
Set	Spannbackensatz (Pos. 1-6) (3 Stück)	jaw set assembly (pos. 1-6)	1set	8.1719
Set	Spannbackeneinsatz (Pos. 2-4, 6) (3 Stück)	jaw insert set (pos. 2-4, 6)	1set	5.6176
1	Spannbackenschraube	hammer chuck bolt	3	8.1601
2	Spannbackenfeder B	hammer chuck spring B	3	8.1602
3	Spannbackenfeder A	hammer chuck spring A	3	8.1603
4	Spannbackenstift	hammer chuck pin	3	8.1604
5	Spannbackengrundkörper (3 Stück)	hammer chuck jaw assembly	1set	8.1605
6	Spannbackeneinsatz (3 Stück)	jaw insert complete	1set	8.1720
7	Schraube M6x70	hex socket bolt M6x55L	6	8.8469
8	Spannfuttergrundkörper	hammer chuck body	1	8.1608
9	Schneckenring, vorne	hammer chuck scroll	1	8.3701
10	Schlagring	hammer chuck outer ring	1	8.5827
11	Druckfeder	pre-load spring	6	8.5823
12	Arbeitsspindel kpl.	spindle gear complete	1	8.1612
13	Druckring	thrust plate	1	8.5821
14	Kugellager 6015 2RS	ball bearing 6015 2RS	2	8.1614
Set	Zentrierfutter kpl. (Pos. 15-22)	scroll assembly (pos. 15-22)	1	8.1722
15	Sechskantmutter M6	hex nut M6	3	8.4169
16	Zentrierfutterdeckel, innen	scroll cap	1	8.1616
17	Schneckenring, Zentrierfutter	scroll	1	8.1617
18	Schraube, Zentrierfutter	scroll stop bolt	4	8.6929
19	Zentrierbacken (3 Stück)	scroll jaw set	1set	8.3703
20	Zentrierfutterdeckel, außen	scroll body	1	8.1723
21	Federring 6	spring washer CM6	3	8.1621
22	Schraube M6x18	pan head screw M6x16L	3	8.1622
set	Getriebe kpl.	drive complete	1set	8.1620
23	Schraube M6x40	hex socket bolt M6x40L	1	8.1623
24	Federring 6	spring washer CM6	1	8.1621
25	Schraube M6x25	hex socket bolt M6x25L	5	H98368
26	Federring 6	spring washer CM6	5	8.1621
27	Federring 6	spring washer CM6	4	8.1621
28	Schraube M6x25	hex socket bolt M6x25L	4	8.1703
29	Getriebedeckel, vorne	gear box	1	8.1760
30	Getriebewelle	output shaft pinion	1	8.1761
31	Passfeder 6x6x13	key 6x6x13	1	8.3344
32	Kugellager 6304 ZZ	ball bearing 6304 ZZ	1	8.1762
33	Zahnrad	output shaft reduction gear	1	8.1763
34	Sicherungsring 20	C snap ring S-20	1	8.1764
35	Kugellager 6201 ZZ	ball bearing 6201 ZZ	3	8.5902
36	Getriebewelle	1st shaft pinion	1	8.1765
37	Passfeder 5x5x13	key 5x5x13	2	8.3189
38	Zahnrad	1st shaft reduction gear	1	8.1767
39	Kugellager 6301 ZZ	ball bearing 6301 ZZ	2	8.6950
40	Zahnrad	2nd shaft reduction gear	1	8.1709
41	Getriebewelle	2nd shaft pinion	1	8.1710
42	Federring 6	spring washer CM6	1	8.1621
43	Mutter M6	U-nut M6	1	8.1711
44	Getriebedeckel, hinten	gear box cover	1	8.1712
45	Motor 100V	motor 100V	1	8.1713
45	Motor 110V	motor 110V	1	8.1714
45	Motor 230/240V	motor 230/240V	1	8.1599
46	Motoradapterplatte	motor adapter	1	8.1646
47	Federring 5	spring washer M5	2	8.4094
48	Schraube M5x15	pan head screw M5x15L	2	8.5933
49	Federring 4	spring washer M4	2	8.1649
50	Schraube M4x15	pan head screw M4x15L	2	8.1650
51	Inbusschraube M6x20	hex socket bolt M6x20L	4	8.3782
52	Federring 6	spring washer CM6	4	8.1621
53	Kohlenhalter	carbon holder	2	8.3691
54	Kohlenbürste (2 Stück)	carbon brush	1set	8.3689
55	Kohlenkappe	carbon cap	2	8.3693
56	Ölschlauch WP15	urethane hose WP15 in: 300 mm, out: 200 mm	2	8.1656
57	Schlauchklemme 12	hose clamp 12	3	8.1657
58	Schraubnippel	connector GES8xPT1/4	2	8.1658
59	Inbusschraube M6x18	hex socket bolt M6x18L	3	8.3501
60	Federring 6	spring washer CM6	3	8.1621
61	Winkelnippel WES8xPT1/4	elbow WES8xPT1/4	1	8.1661
62	Ölpumpe Top-12A	oil pump TOP-12A	1	8.1717